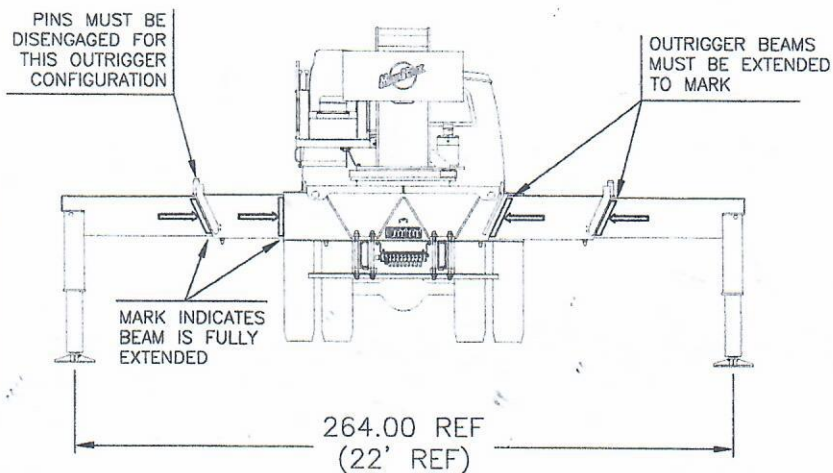


**USE THIS CHART ONLY
WHEN ALL
OUTRIGGERS ARE
FULLY EXTENDED**



- FULLY EXTENDED OUTRIGGER CONFIGURATION -

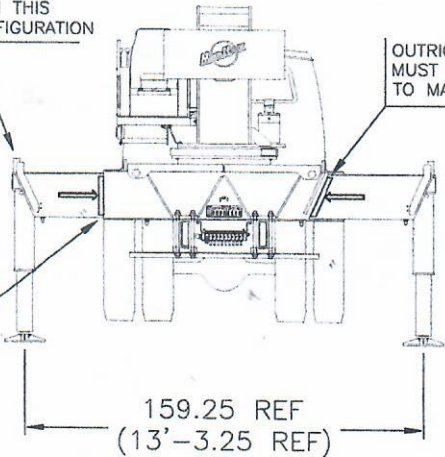
LOAD RATINGS IN LBS WITH ALL OUTRIGGERS FULLY EXTENDED LMI CODE #1										JIB LOAD RATINGS IN LBS WITH ALL OUTRIGGERS FULLY EXTENDED									
OPERATING HEIGHT	LOADED BOOM ANGLE BOOM LENGTH AND MARKER		A				B		C		D		FIXED JIB		TELESCOPIC JIB				
			30.83 FT		58 FT		80 FT		102 FT		123.5 FT		LMI CODE #2	LMI CODE #3	LMI CODE #4				
			BOOM ANGLE	JIB LENGTH FOR ALL BOOM LENGTHS	BOOM ANGLE	JIB LENGTH FOR ALL BOOM LENGTHS	BOOM ANGLE	JIB LENGTH FOR ALL BOOM LENGTHS	BOOM ANGLE	JIB LENGTH FOR ALL BOOM LENGTHS	BOOM ANGLE	JIB LENGTH FOR ALL BOOM LENGTHS	BOOM ANGLE	JIB LENGTH FOR ALL BOOM LENGTHS	BOOM ANGLE	JIB LENGTH FOR ALL BOOM LENGTHS			
5	75	80000																	
8	69	60500																	
10	64	52550																	
12	60	46600	75	25000															
15	53	39600	73	25000	79	21500													
20	40	31330	67	25000	75	19700	80	14500											
25	22	24100	62	22840	71	18200	77	13500	80	8450									
30			56	19550	67	16250	74	12820	78	8150	30	80	4000	79.5	3300				
35			49	16100	63	14540	71	11380	75	7800	35	78	3850	77.5	3300	79.5	2450		
40			42	12900	59	13070	68	10160	72	7280	40	76	3700	76	3300	78	2450		
45			34	10540	54	10800	65	9370	70	6780	45	74	3550	74	3300	76.5	2450		
50			23	8720	50	9000	61	8430	67	6160	50	72	3400	72	3300	75	2450		
55					44	7570	58	7620	65	5540	55	70	3250	70.5	3300	73	2450		
60					39	6400	54	6530	62	5000	60	68	3080	68.5	3300	71.5	2450		
65					32	5430	50	5570	59	4520	65	66	2910	66.5	3070	70	2420		
70					24	4610	46	4760	56	4090	70	64	2750	64.5	2750	68	2260		
75					12	3900	42	4060	53	3700	75	62	2600	62	2380	66	2110		
80							37	3470	50	3350	80	60	2460	60	2050	64.5	1940		
85							32	2940	47	3020	85	58	2320	58	1760	63	1750		
90							25	2480	43	2560	90	55	2170	55.5	1500	61	1580		
95							17	2060	40	2150	95	53	1930	53	1260	59	1440		
100									35	1790	100	51	1720	50.5	1050	57	1280		
105									31	1460	105	48	1530	48	850	55	1100		
110									25	1160	110	45	1350			53	930		
115									18	880	115	43	1200			51	770		
120											120	40	1020						
125											125	36	800						
			450 LBS	240 LBS	180 LBS	140 LBS	120 LBS					FIXED		DEDUCTIONS FOR STOWED JIB					
			840 LBS	450 LBS	330 LBS	260 LBS	210 LBS					TELESCOPIC							

**USE THIS CHART ONLY
WHEN ALL
OUTRIGGERS ARE IN
THE INTERMEDIATE
POSITION**

PINS MUST BE ENGAGED IN THIS OUTRIGGER CONFIGURATION

OUTRIGGER BEAMS MUST BE EXTENDED TO MARK

MARK INDICATES BEAM IS FULLY EXTENDED



- INTERMEDIATE OUTRIGGER CONFIGURATION -

LOAD RATINGS IN LBS WITH ALL OUTRIGGERS FULLY EXTENDED LMI CODE #9										JIB LOAD RATINGS IN LBS WITH ALL OUTRIGGERS FULLY EXTENDED							
OPERATING HEIGHT	LOADED BOOM ANGLE BOOM LENGTH AND MARKER										OPERATING HEIGHT	FIXED JIB		TELESCOPIC JIB			
			A		B		C		D			LMI CODE #10	LMI CODE #11	LMI CODE #12			
	BOOM ANGLE	BOOM LENGTH	BOOM ANGLE	BOOM LENGTH	BOOM ANGLE	BOOM LENGTH	BOOM ANGLE	BOOM LENGTH	BOOM ANGLE	BOOM LENGTH		BOOM ANGLE	BOOM LENGTH	BOOM ANGLE	BOOM LENGTH	BOOM ANGLE	BOOM LENGTH
	30.83 FT		58 FT	80 FT	102 FT	123.5 FT											
5	75	80000															
8	69	60500															
10	64	52550															
12	60	46600	75	25000						10							
15	53	36000	73	25000	79	21500				12							
20	40	20410	67	21480	75	19700	80	14500		15							
25	22	13230	62	14290	71	14550	77	13500	80	8450	25						
30			56	10170	67	10420	74	10540	78	8150	30	80	4000	79.5	3300		
35			49	7490	63	7740	71	7860	75	7800	35	78	3850	77.5	3300	79.5	2450
40			42	5610	59	5860	68	5980	72	6040	40	76	3700	76	3300	78	2450
45			34	4220	54	4470	65	4580	70	4650	45	74	3550	74	3300	76.5	2450
50			23	3120	50	3390	61	3510	67	3570	50	72	3400	72	3300	75	2450
55					44	2540	58	2660	65	2720	55	70	3110	70.5	2490	73	2450
60					39	1840	54	1970	62	2030	60	68	2410	68.5	1790	71.5	2450
65					32	1260	50	1390	59	1450	65	66	1830	66.5	1210	70	1930
70					24	770	46	900	56	970	70	64	1340	64.5	720	68	1430
75											75	62	920			66	1010
80											80	60	560			64.5	640
			450 LBS	240 LBS	180 LBS	140 LBS	120 LBS					FIXED		DEDUCTIONS FOR STOWED JIB			
			840 LBS	450 LBS	330 LBS	260 LBS	210 LBS					TELESCOPIC					